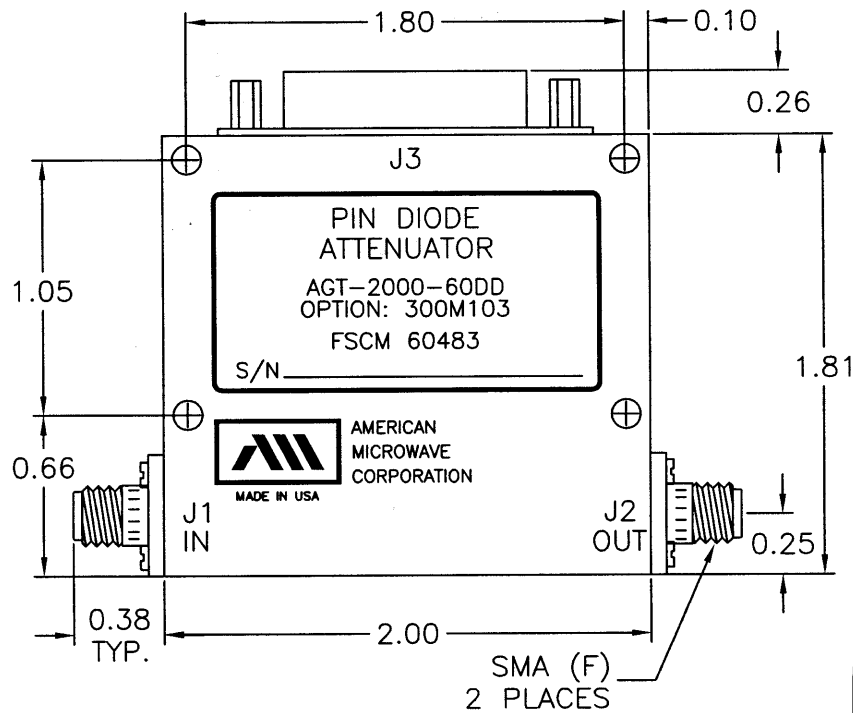
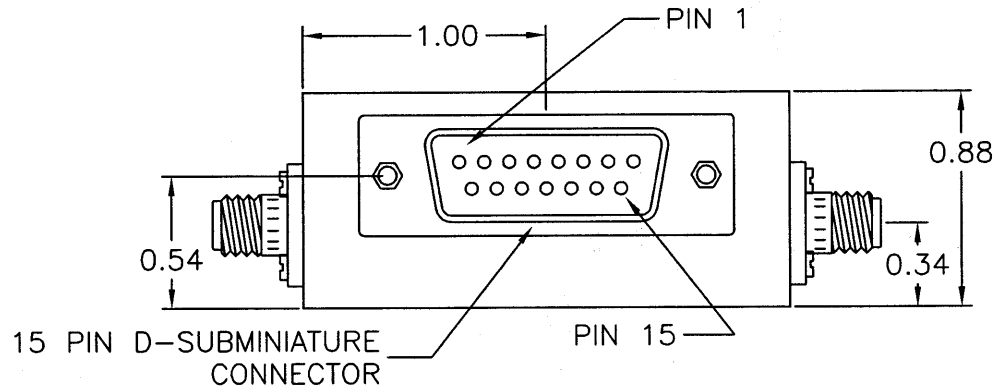


DESCRIPTION

AMC MODEL AGT-2000-60DD OPTION: 300M103 IS A BROAD BAND VARIABLE ATTENUATOR/MODULATOR, CONTROLLED BY 8 BIT POSITIVE TRUE BINARY LOGIC.

| REVISIONS | | | | |
|-----------|------|--------------------------------|----------|----------|
| ZONE | REV. | DESCRIPTION | DATE | APPROVED |
| | - | ORIGINAL RELEASE JOB# 408194-2 | 11/15/04 | |



ALL DIMENSIONS ARE IN INCHES
TOLERANCES:
X.XX ±0.020
X.XXX ±0.010

MECHANICAL OUTLINE

| 8 BIT TRUE BINARY LOGIC J3 PIN FUNCTIONS | |
|---|---------------|
| PIN NO. | FUNCTIONS. |
| 1 | GND |
| 2 | N/C * |
| 3 | N/C * |
| 4 | GND |
| 5 | 0.25 dB (LSB) |
| 6 | 0.5 dB |
| 7 | 1.0 dB |
| 8 | 2.0 dB |
| 9 | 4.0 dB |
| 10 | 8.0 dB |
| 11 | 16.0 dB |
| 12 | 32.0 dB |
| 13 | +V |
| 14 | -V |
| 15 | N/C * |

* N/C = NO CONNECTION

AMERICAN MICROWAVE CORPORATION

7311-G GROVE ROAD
FREDERICK, MARYLAND 21704 USA
TEL: 301-662-4700 FAX: 301-662-4938
WEBSITE: www.americannmicrowavecorp.com
E-MAIL: sales@americannmicrowavecorp.com
ISO 9001:2000 CERTIFIED



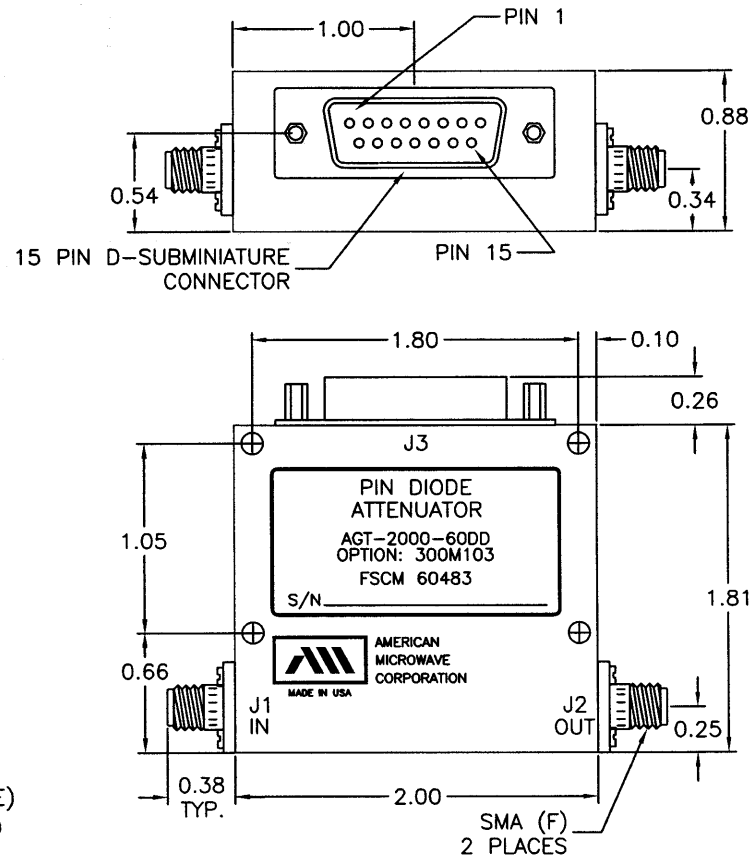
| APPROVALS | | DATE | TITLE | | | |
|-----------|-----|----------|---|----------|----------|-------|
| DRAWN | JDJ | 11/15/04 | MECHANICAL OUTLINE AGT-2000-60DD OPTION: 300M103 0.3 TO 1.3 GHz, DIGITAL VARIABLE ATTENUATOR | | | |
| CHECKED | PA | 11/17/04 | SIZE | FSCM NO. | DWG NO. | REV. |
| ISSUED | | | A | 60483 | 100-7205 | - |
| | | | SCALE | N:S | | SHEET |
| | | | | | 2 OF 3 | |

DESCRIPTION

AMC MODEL AGT-2000-60DD OPTION: 300M103 IS A BROAD BAND VARIABLE ATTENUATOR/MODULATOR, CONTROLLED BY 8 BIT POSITIVE TRUE BINARY LOGIC.

SPECIFICATIONS

- FREQUENCY RANGE: 300 MHz TO 1.3 GHz
- INSERTION LOSS: 2.0dB (± 1.75 dB TYPICAL)
- ATTENUATION FLATNESS
(\pm dB MAXIMUM): 0-30 dB \pm 0.5 dB MAXIMUM
30-50 dB \pm 1.5 dB MAXIMUM
50-60 dB \pm 2.5 dB MAXIMUM
- ATTENUATION ACCURACY: 0-10 dB \pm 2.0 dB MAXIMUM
10-20 dB \pm 1.0 dB MAXIMUM
20-50 dB \pm 1.5 dB MAXIMUM
50-60 dB \pm 2.0 dB MAXIMUM
- SWITCHING TIME: ON: 25 uSec OFF: 10 uSec
- VSWR: 2.0:1 MAXIMUM, 1.75 TYPICAL
(@ 0 dB ATTENUATION)
- RF POWER RATINGS:
OPERATING: +10 dBm CW MAXIMUM
+20 dBm TYPICAL
SURVIVAL: +30 dBm CW MAXIMUM
- CONTROL: 8 BIT TRUE BINARY LOGIC
- POWER SUPPLY: +12 VDC @ 250 mA MAXIMUM
(210 mA TYPICAL)
-12 VDC @ 50 mA MAXIMUM
(30 mA TYPICAL)
- CONNECTORS:
RF INPUT/OUTPUT: SMA FEMALE
POWER AND CONTROLS: 15 PIN D-SUBMINIATURE (MALE)
MATING CONNECTOR FURNISHED
- SIZE: 2.00" x 1.81" x 0.88"



| 8 BIT TRUE BINARY LOGIC J3 PIN FUNCTIONS | |
|---|---------------|
| PIN NO. | FUNCTIONS. |
| 1 | GND |
| 2 | N/C * |
| 3 | N/C * |
| 4 | GND |
| 5 | 0.25 dB (LSB) |
| 6 | 0.5 dB |
| 7 | 1.0 dB |
| 8 | 2.0 dB |
| 9 | 4.0 dB |
| 10 | 8.0 dB |
| 11 | 16.0 dB |
| 12 | 32.0 dB |
| 13 | +V |
| 14 | -V |
| 15 | N/C * |

* N/C = NO CONNECTION

ENVIRONMENTAL RATINGS

- TEMPERATURE: -55°C TO +125°C (OPERATING)
-65°C TO +125°C (STORAGE)
- HUMIDITY: MIL-STD-202F, METHOD 103B COND. B
- SHOCK: MIL-STD-202F, METHOD 213B COND. B
- VIBRATION: MIL-STD-202F, METHOD 204D COND. B
- ALTITUDE: MIL-STD-202F, METHOD 105C COND. B
- TEMPERATURE CYCLE: MIL-STD-202F, METHOD 107D COND. A

NOTE: SPECIFICATIONS WILL VARY OVER OPERATING TEMPERATURE
NOTE: THE ABOVE SPECIFICATIONS ARE SUBJECT TO CHANGE OR REVISION

ALL DIMENSIONS ARE IN INCHES
TOLERANCES:
X.XX ± 0.020
X.XXX ± 0.010

AMERICAN MICROWAVE CORPORATION

7311-G GROVE ROAD
FREDERICK, MARYLAND 21704 USA
TEL: 301-662-4700 FAX: 301-662-4938
WEBSITE: www.americanmicrowavecorp.com
E-MAIL: sales@americanmicrowavecorp.com
ISO 9001:2000 CERTIFIED



| APPROVALS | | DATE | TITLE | | | |
|-----------|--|----------|--|----------|----------|--------------|
| DRAWN | | 11/15/04 | PRODUCT FEATURE AGT-2000-60DD OPTION: 300M103 0.3 TO 1.3 GHz, DIGITAL VARIABLE ATTENUATOR | | | |
| CHECKED | | 11/15/04 | SIZE | FSCM NO. | DWG NO. | REV. |
| ISSUED | | | A | 60483 | 100-7205 | - |
| | | | SCALE | N:S | | SHEET 1 OF 3 |